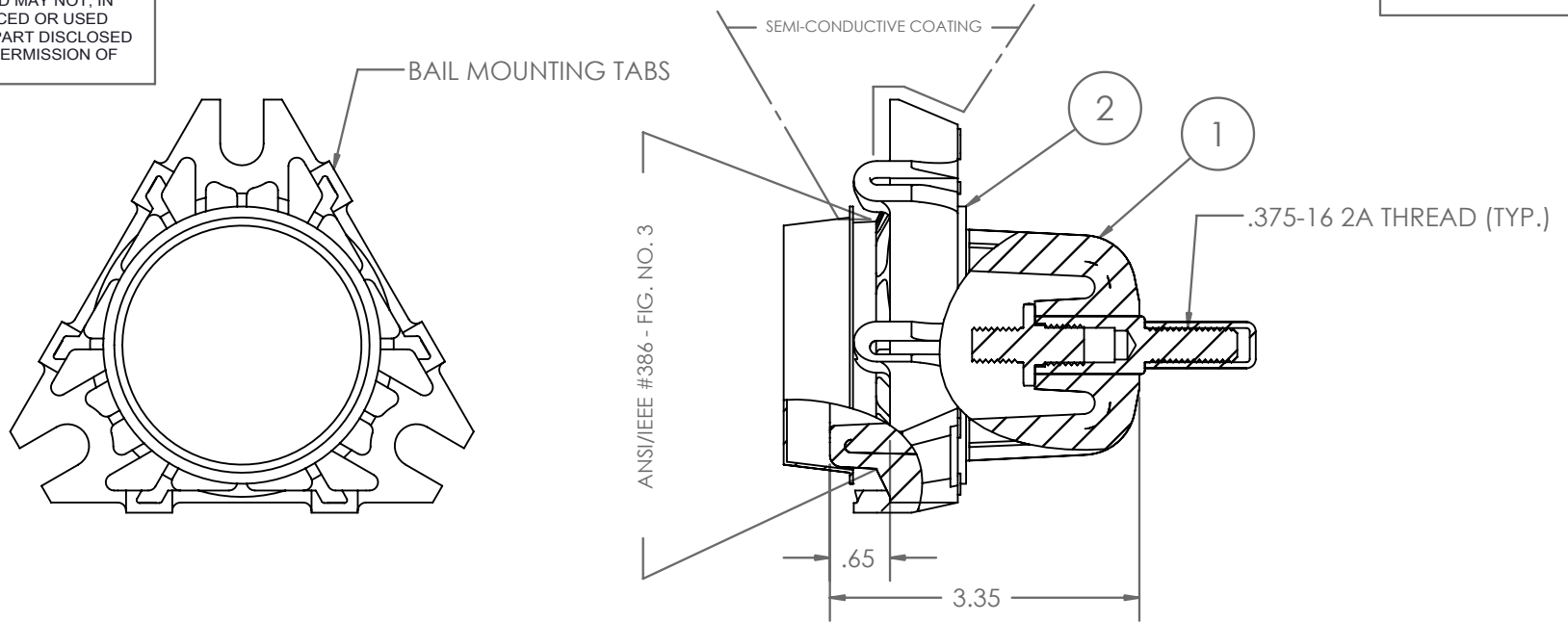


PROPRIETARY INFORMATION

THE INFORMATION CONTAINED ON THIS DRAWING IS CONSIDERED PROPRIETARY AND MAY NOT, IN WHOLE OR IN PART, BE REPRODUCED OR USED FOR THE MANUFACTURE OF THE PART DISCLOSED HERE-IN WITHOUT THE WRITTEN PERMISSION OF CENTRAL MOLONEY, INC.

NO. **70191972**



RATINGS

(IN ACCORDANCE WITH ANSI/IEEE STANDARD 386)

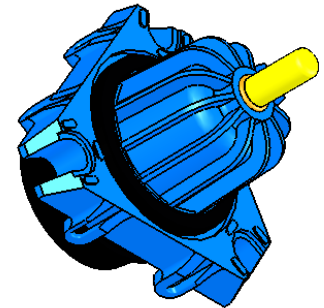
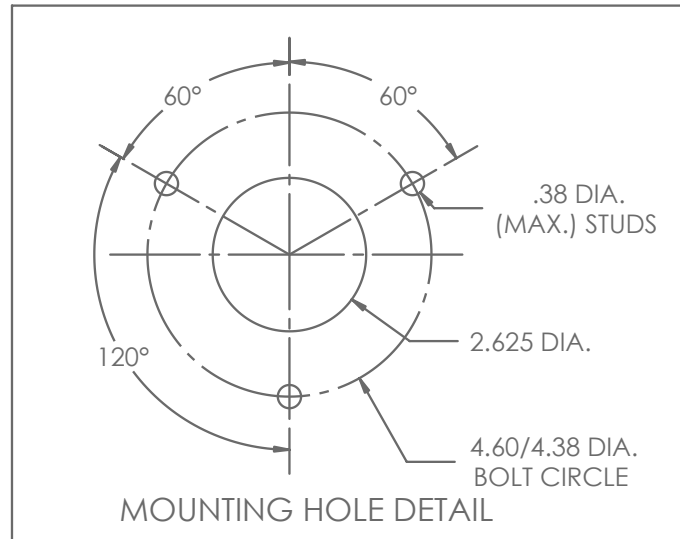
- VOLTAGE CLASS35 KV
- MAXIMUM LINE TO GROUND21.1KV
- AC 60 HZ - 1 MIN.50 KV
- DC 15 MIN.103 KV
- IMPULSE B.I.L.150 KV
- MINIMUM CORONA LEVEL26 KV
- CONTINUOUS CURRENT200 AMPS

NOTE:

1. TORQUE MOUNTING NUTS TO 70-80 IN./LB.
2. STUD ORIENTATION IN TANK SHOULD BE AS SHOWN IN MOUNTING HOLE DETAIL.

MATERIAL

GLASS FILLED ENGINEERING THERMOPLASTIC.



NOTE: ALL DIMENSIONS ARE IN INCHES

2	GASKET	32161863	1	EA.
1	TUF EX WELL II ASSY.	70191971	1	EA.
ITEM NO.	DESCRIPTION	RM-PP-CC NO.	QTY.	U/M

NO.	REVISION	ECN NO.	DATE
-----	----------	---------	------

DRWN BY B.M.	SCALE: 1:2
DATE 8/29/06	
TOLERANCE UNLESS OTHERWISE SPECIFIED	
.X=±.100	.XX=±.050 .XXX=±.010



Central Moloney, Inc.
Components Operation

5500 Jefferson Parkway-Phone (870) 247-5320-Pine Bluff, Arkansas 71602

TITLE TUF EX WELL II BUSHING ASSY (REM. STUD) W/ GASKET	NO. 70191972	REV.
---	-----------------	------